

vis-it[®] Tilt Floormount 22 - 43" Black

Item no.: 2338

Indoor totem to screw down on the floor with continuous tilt adjustment

Interactive content such as image films, animations or slideshows are now used in many areas. Information can be shown effectively and always up-to-date on high-quality displays at almost any location.

The indoor totem can be used in retail to depict special offers. Orientation systems at trade fairs, train stations or airports can be implemented as well as company presentations in the visitor area of a company.

The TV holding fixture of the vis-it Tilt Floormount 22 - 43" can be tilted continuously between 0 and 90°. It is suitable for digital signage screens or flat screens between 22 - 43" | 55 - 109 cm screen diagonal.

Thanks to their compact size, the indoor totems can be used in a very space-saving manner. The floor space re-

quired is W 500 x D 285 mm and the height is approx. 1062 mm, which is not only in the optimal viewing area, but also makes the totem perfect for touch applications.

The cables are routed inside the slim column, which also offer sufficient space for peripheral devices on various levels. Thanks to the removable column cover on the back, optimum service access is possible at any time and very conveniently.

As a standard, the surface of the vis-it Tilt Floormount 22 - 43" is finished with an impact- and scratch-resistant powder coating in black. Other RAL colours are available on request.



TV holding fixture, 0 - 90° tiltable



cables can also be fed through the base plate



rear cable outlet

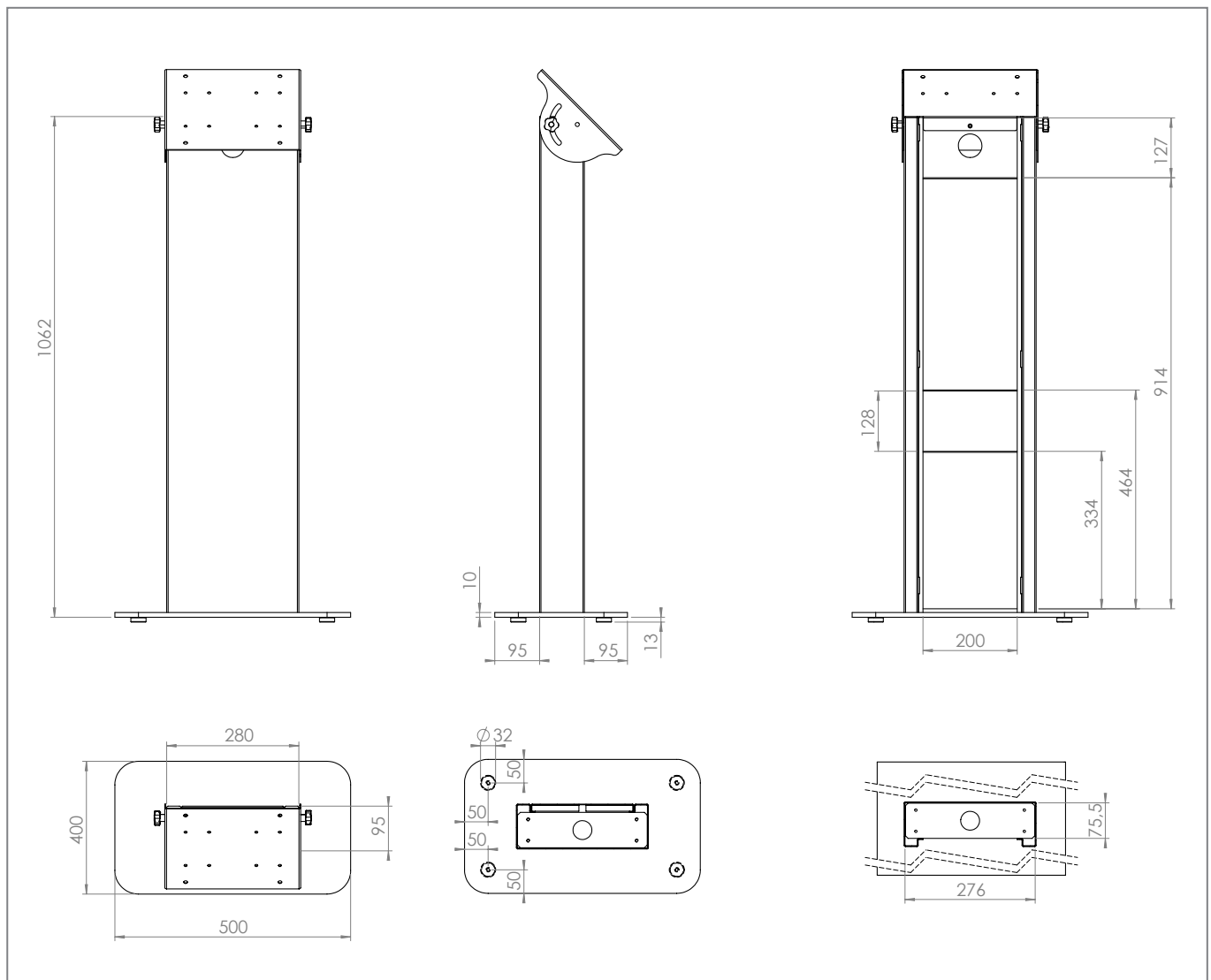


vis-it[®] Tilt Floormount 22 - 43" Black

Item no.: 2338

Indoor totem to screw down on the floor with continuous tilt adjustment

- for screens from 22 - 43" | 55 - 109 cm
- incl. VESA holder 75, 100, 200 mm
- continuous tilt adjustment (0 - 90°)
- hinges adjustable to the weight of the devices
- height (centre of screen): approx. 1062 mm
- dimensions base plate: W 500 x D 285 mm
- good service accessibility thanks to the removable column cover on the back
- internal cable routing in the column
- cable routing possible via base plate
- various internal mounting levels for peripheral devices
- max. load:
 - 12 kg with touch application
 - 18 kg without touch application
- incl. impact- and scratch-resistant powder coating
- colour: black, other RAL colours on request



Screen not included in the scope of delivery. | Technical changes reserved